

# DC-I6212WRX

## 2MP Intercom



- SIP(VoIP) Supports
- Clear Voice Communication with Echo Cancellation
- IR LED (5m / 16ft (1ea))
- IK10 / IP66 / NEMA4X support

### SPECIFICATIONS

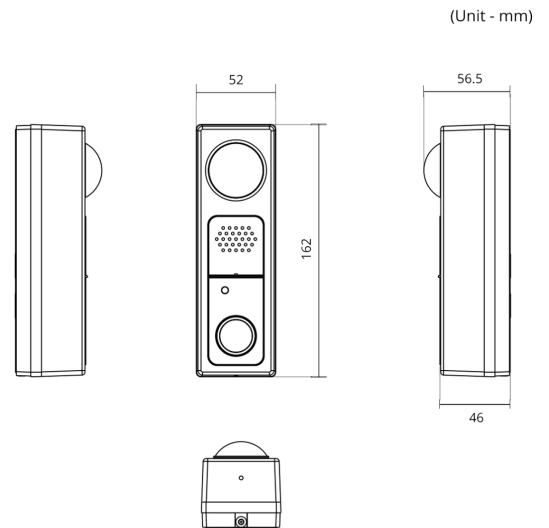
Video	
Image Sensor	1/2.8" CMOS
Max. Resolution	1920 x 1080
Scanning Mode	Progressive Scan
Lens Type	Fixed-focal
Focal Length	1.85mm
Aperture	F2.3
Iris Control	Fixed Iris
Angular Field of View	180°(H)
Min. Illumination	COLOR: 0.1 lux @ F2.3 B/W : 0 lux (IR LED ON)
Dynamic Range	120dB (True WDR)
Electronic Shutter Speed	Auto / Manual (1/30 ~ 1/10,000), Anti-Flicker, Slow Shutter (1/7.5, 1/15)
Day and Night	Yes (ICR)
IR Distance (LEDs)	5m / 16ft (1ea)
Image Setting	Exposure, White Balance, Self-Adjusting Video Mode (Sharpness, Contrast, Colors, Brightness Control)
Mirroring / Pivot	Horizontal / Vertical
De-fog	Yes
Privacy Masking	8 Zones
Intelligent Video	Video Motion Detection, Active Tampering Alarm, Trip Zone
Network	
Video Compression	H.265, H.264 (MP), M-JPEG
Intelligent Codec	Yes
Bitrate Control	H.265 - CBR/ VBR H.264 - CBR/ VBR
Audio Compression	G.726, G.711 u-Law, G.711 a-Law, G.722
Two-way Audio	Yes
IP Camera Protocol	DirectIP 2.0, ONVIF Profile S/T
Max. Frame Rate	30fps : 1920 x 1080 (WDR)
Supported Resolution	1920x1080, 1280x720, 640x360, 352x240
Multi-video Streaming	Quadruple Streaming
Network Protocols	DirectIP 2.0 Protocol, IPv4, IPv6, RTP/RTSP/RTMP/RTSP/HTTP/TCP/RTMP/UDP/RTSP/HTTP/HTTPS/FTP/SNMP/SMTP/FEN mDNS, uPNP, SNMPv2, SIP
Security	Signed firmware, Digest authentication, Password Protection, User access log, IP Filtering, IEEE802.1X/EAP-TLS, Chained Fingerprint, SSL Encryption, HTTPSEncryption
Ethernet	RJ45 (10/100BASE-T)
Recording Session Buffer (NLSrec)	Yes (Up to 60MB)
Edge Storage	micro SD/SDHC/SDXC Smart Failover (Up to 512GB)
Alarm and Event	
Trigger Event	Motion Detection, Alarm in, Audio detection, Tampering, Trip Zone
Event Notification	Remote S/W, Email (with Image)
Audio Alarm	Yes
Audio In / Out	1 (Built In MIC with Echo Cancellation) / 1 (Built In SPK)
Alarm In / Out	1 / 2
Environmental	
Vandal Proof Casing	IK10
Outdoor Ready	IP66, NEMA4X
Operating Temperature	-30°C ~ +55°C (-22°F ~ +131°F) *Starting up at above 0°C (32°F)
Operating Humidity	0% ~ 90%
Electrical	
Power Source	12VDC, PoE IEEE802.3af (Class 3)
Power Consumption	12V=, 1.87A, 22.4W PoE (IEEE802.3af Class 3), 9.5W (DC Output : 12V=, 1A MAX with Adaptor)
Approval	FCC CE KC
Mechanical	
Dimensions	52mm x 165mm x 46mm (2.05" x 6.50" x 1.81")
Weight	0.52 kg (1.15lb)



### PRODUCT IMAGE



### DIMENSIONS




### ACCESSORIES (OPTIONAL)



Intercom Flush Mount

# ACCESSORY CONFIGURATION BY INSTALLATION ENVIRONMENT

PRODUCT	INSTALLATION ENVIRONMENT	ACCESSORY CONFIGURATION
DC-I6212WRX	ETC	 <b>INTERCOM FLUSH</b> Model: DA-FM2100