

# DH-PFH610N-IR-W

14" Full-function Housing



## Features

- 4" wiper housing with IR & wiper, provides all-weather protection for box cameras and lens;
- IP66 water-proof;
- All-aluminum shell design, built-in heating and cooling system, windows adopt water-proof films, 0-100m IR and support remote control of IR light and wiper function by RS485;
- Aesthetic design.

## Technical Specification

Model	DH-PFH610N-IR-W
-------	-----------------

### General

Inside Dimension(LxWxH)	255mmx90mmx70.5mm(10.04"x3.54"x2.78") 215mmx90mmx83mm(8.46"x3.54"x3.27")	
Window Dimension	φ60mm(φ2.36")	
Operating Temperature	Set	-40℃~+60℃(-40℉~+140℉)
	Heater	ON: 5±5 ℃/OFF: 15±5 ℃
	Cooler	ON: 37±5 ℃/OFF: 20±5 ℃ ON: 5±5 ℃/OFF: 15±5 ℃
IR Distance	0~100m(0~328.08ft)	
RS485 Control	Yes, use RS485 to control IR light & wiper	
Wiper	Yes	
Power Supply	AC24V/5A	
Power Consumption(without camera)	Max. 70W	

### Environmental

Operating Temperature	-40℃~60℃(-40℉~+140℉)
Humidity	<90% RH
Ingress Protection	IP66
Vandal Resistance	N/A
Corrosion Protection	N/A

### Construction

Material	Aluminum(case)&PC(others)
Dimension(LxWxH)	404mmx164mmx175mm(15.91"x6.46"x6.89")
Weight	3.3kg(7.28lb)

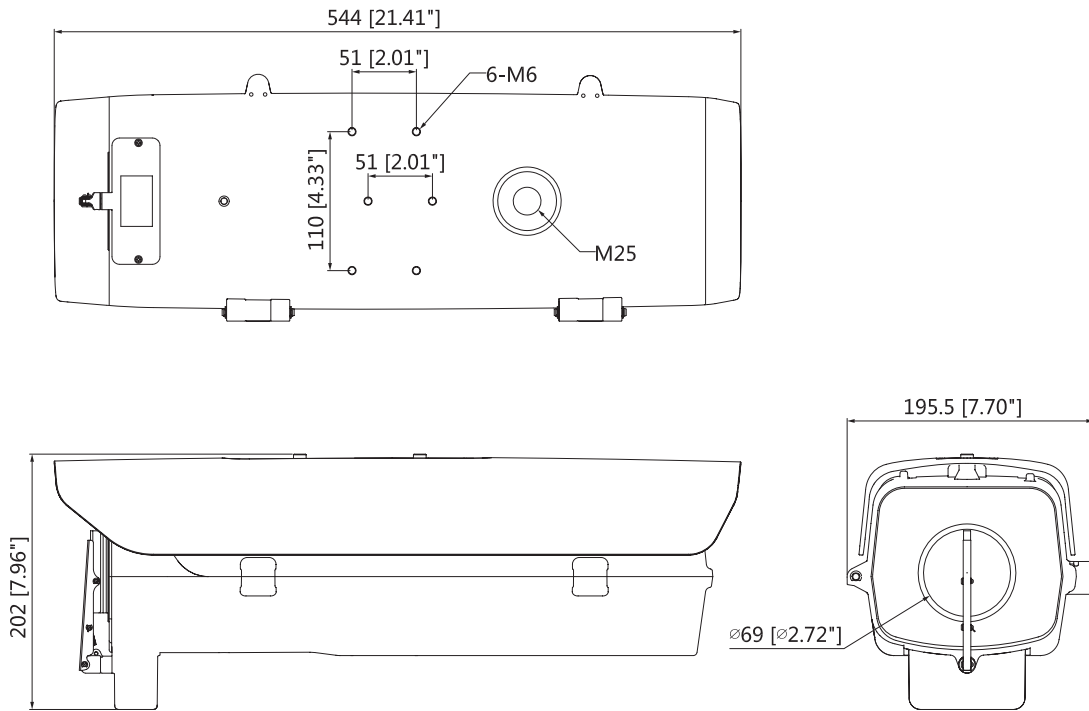
### Others

Certification	CE, FCC, ICES
Applicable Model	Please see "Accessory Selection"

### Order Information

Type	Part Number	Description
Housing Series	DH-PFH610N-IR-W	14" wiper housing with IR
	PFH610N-IR-W	14" wiper housing with IR
Optional Brackets	PFB604W	Wall-mount bracket
	PFB600W	Plane-mount bracket
	PFB601W	Ceiling-mount bracket
	PFA162	Support three-axis rotation for housing installation

### Dimensions (mm/inch)



## Application



## Package Information

- 14" wiper IR housing \*1
- Installation instruction \*1
- M20 water joint \*2
- 1/4/20×8UNC screw \*2
- S5.0 wrench \*1
- Connecting line(link camera to IR driver board) \*1