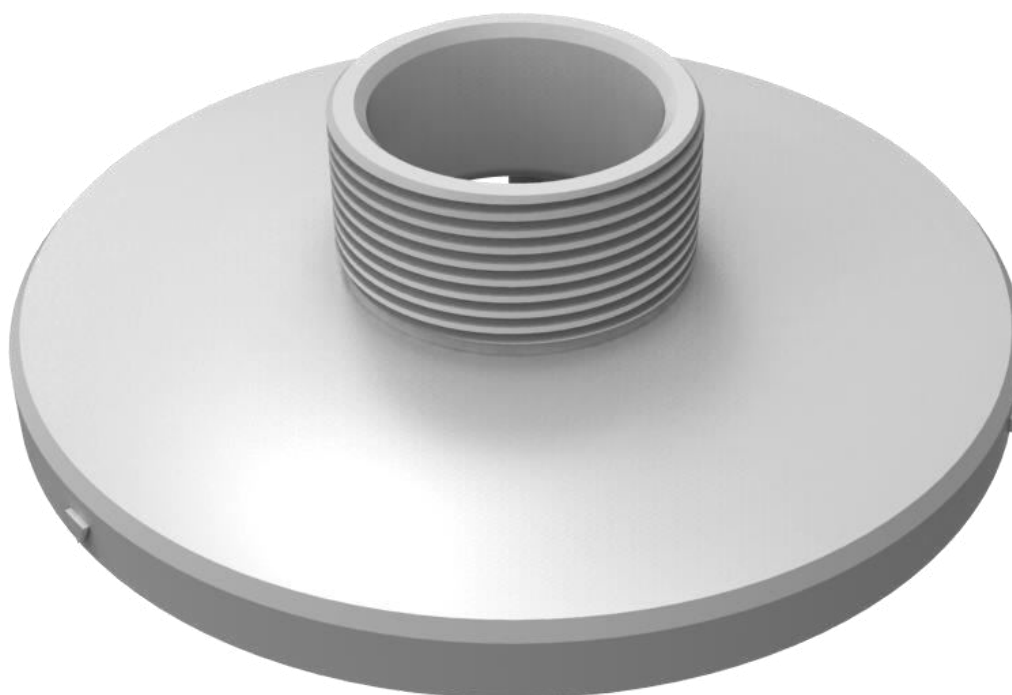


DH-PFA103

Mount Adapter



Features

- Aesthetic design
- Material: aluminum
- Hanging mount adapter

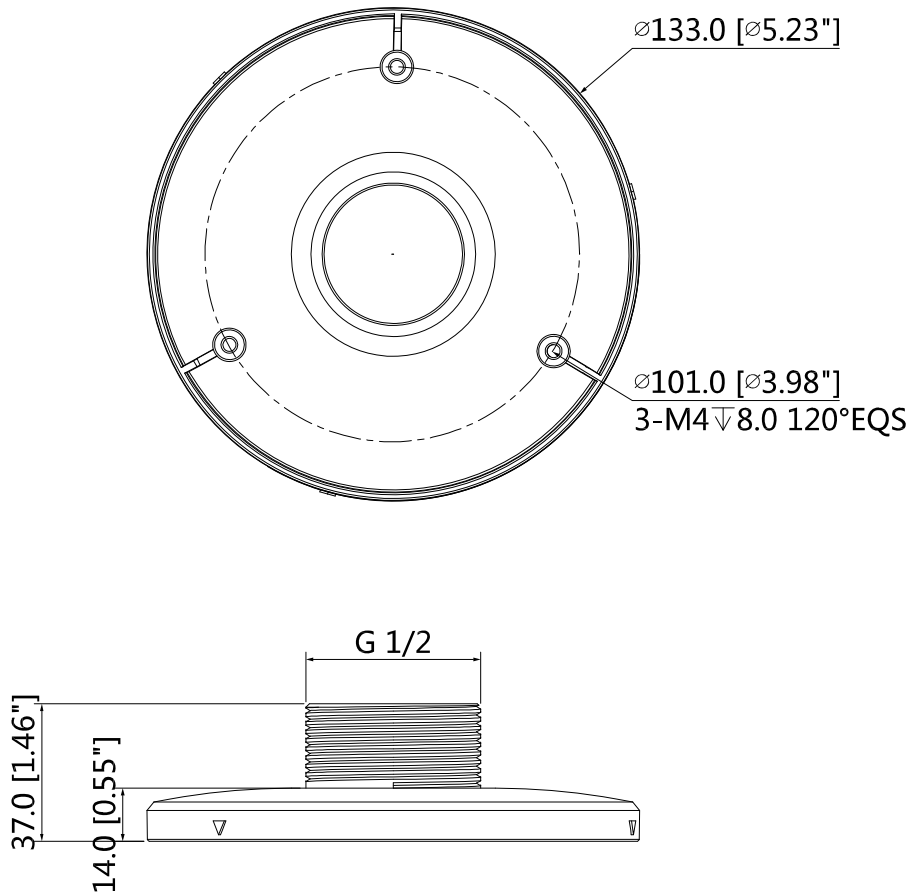
Technical Specifications

| | |
|-----------------------|----------------------------------|
| Model | DH-PFA103 |
| General | |
| Material | Aluminum |
| Dimension | Φ133mmx37mm (Φ5.23"x1.46") |
| Pipe Thread | G1 1/2" |
| Load Bearing | 3.0kg(6.61lb) |
| Weight | 0.13kg(0.29lb) |
| Color | White |
| Operating Temperature | -40°C ~ +60°C (-40°F ~ +140°F) |
| Humidity | <90% RH |
| Applicable Model | Please see "Accessory Selection" |

Order Information

| Type | Part Number | Description |
|--------------|-------------|---------------|
| Camera Mount | DH-PFA103 | Mount adapter |
| | PFA103 | Mount adapter |

Dimensions (mm/inch)



Application



Package Information

- Mount adapter *1