

DHI-IPMECD-3012

Straight Arm Barrier



- Barriers with 3 m (9.84ft) or 4 m (13.12 ft) arm are available. For the 3 m (9.84 ft) models, each of the two sections of the arm is 1.5 m (4.92 ft), and the barriers enjoy fast opening/closing time of 0.9 s or 1.4 s. For the 4 m (13.12 ft) models, each of the two sections of the arm is 2 m (6.56 ft), and the barriers enjoy fast opening/closing time of 2 s.
- 12V DC output.
- Opening and closing signal output.
- Anti-drop function realized by connected radar, coil, or IR sensor.
- Support remote control, with maximum distance of 50 m (164 ft).
- Operating temperature: -40°C to $+70^{\circ}\text{C}$ (-40°F to $+158^{\circ}\text{F}$).
- Operating voltage: 220V AC \pm 15%.
- Protection grade: IP55.

System Overview

The barrier primarily consists of top cover, casing, drive unit, control box, and barrier arm (either at the right side or at the left side). It can be used together with radar for access control.

The barrier is applicable to access control for residential areas, hotels, governments, supermarkets, schools, airports, factories, public security and judicial organizations, ports, terminals, hospitals, etc.

Functions

Outstanding Performance

Automatic lifting when the barrier arm meets obstacle.
Automatic opening in case of power failure.

Impressive Reliability

Driven by AC variable frequency motor, and equipped with well-designed transmission mechanism and balance spring, the barrier enjoys stable and reliable operation, with lifespan of motor and spring up to 5 million times.

Corrosion Resistance

Casing in aluminum alloy and sheet metal, and the surface is treated with spraying process of ultra-fine silver powder, ensuring high corrosion-resistance performance for 10 years.

Security and Safety

Designed with buffer strip on the arm for enhanced safety. The buffer strip is made of high-molecular-weight polyurethane (PU) which keeps soft and not stiff in cold environments, enjoying lifespan for more than 10 years.

Technical Specification

Basic

Arm Type	Straight arm
Arm Length	3 m (9.84 ft), 4 m (13.12 ft), 5 m (16.40 ft), 6 m (19.69 ft)
Arm (Optional)	IPMECD-0312-M30 3 m (9.84 ft) straight arm IPMECD-0312-M40 4 m (13.12 ft) straight arm IPMECD-0312-M50 5 m (16.40 ft) straight arm IPMECD-0312-M60 6 m (19.69 ft) straight arm
Opening/Closing Time	Barrier with 3 m (9.84 ft) arm: 0.9 s or 1.4 s Barrier with 4 m (13.12 ft) arm: 1.4 s Barrier with 5 m (16.40 ft) arm: 2 s Barrier with 6 m (19.69 ft) arm: 3 s

Ports

I/O	2 (on/off)
Status Output	2 channels (opening signal output, closing signal output)

Functions

Anti-drop	Realized by connected radar, coil, or IR sensor
Remote Control	Yes. Maximum distance: 50 m (164 ft)
Power Output	12V DC

General

Power Supply	220V AC \pm 15% or 110V AC \pm 15%
Power Consumption	150W
Spring Lifespan	5 million times

Barrier | DHI-IPMECD-3012

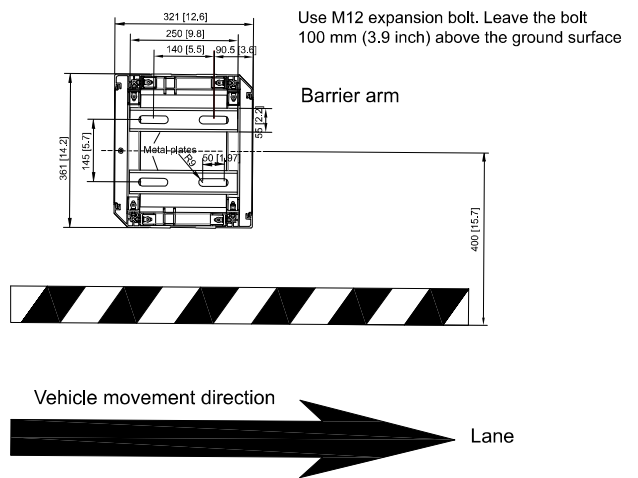
Motor Lifespan	5 million times
Operating Temperature	-40°C to +70°C (-40°F to +158°F)
Operating Humidity	10%–90% (no condensation)
Protection Grade	IP55
Dimensions (L × W × H)	361 mm × 325 mm × 1080 mm (14.2" × 12.8" × 42.5")
Net Weight	60 kg (132.3 lb)
Gross Weight	66 kg (145.5 lb)
Installation	Vertical mount

Barrier	DHI-IPMECD-3012-RM50-T20-AC110	Barrier with 5 m (16.40 ft) straight arm (at the right side). Power supply: 110V AC. Opening/closing speed: 2 s
	DHI-IPMECD-3012-LM50-T20-AC110	Barrier with 5 m (16.40 ft) straight arm (at the left side). Power supply: 110V AC. Opening/closing speed: 2 s
	DHI-IPMECD-3012-RM60-T30-AC110	Barrier with 6 m (19.69 ft) straight arm (at the right side). Power supply: 110V AC. Opening/closing speed: 3 s
	DHI-IPMECD-3012-LM60-T30-AC110	Barrier with 6 m (19.69 ft) straight arm (at the left side). Power supply: 110V AC. Opening/closing speed: 3 s

Ordering Information

Type	Model	Description
Barrier	DHI-IPMECD-3012-RM30-T09	Barrier with 3 m (9.84 ft) straight arm (at the right side). Opening/closing speed: 0.9 s
	DHI-IPMECD-3012-LM30-T09	Barrier with 3 m (9.84 ft) straight arm (at the left side). Opening/closing speed: 0.9 s
	DHI-IPMECD-3012-RM30-T14	Barrier with 3 m (9.84 ft) straight arm (at the right side). Opening/closing speed: 1.4 s
	DHI-IPMECD-3012-LM30-T14	Barrier with 3 m (9.84 ft) straight arm (at the left side). Opening/closing speed: 1.4 s
	DHI-IPMECD-3012-RM40-T14	Barrier with 4 m (13.12 ft) straight arm (at the right side). Opening/closing speed: 1.4 s
	DHI-IPMECD-3012-LM40-T14	Barrier with 4 m (13.12 ft) straight arm (at the left side). Opening/closing speed: 1.4 s
	DHI-IPMECD-3012-RM50-T20	Barrier with 5 m (16.40 ft) straight arm (at the right side). Opening/closing speed: 2 s
	DHI-IPMECD-3012-LM50-T20	Barrier with 5 m (16.40 ft) straight arm (at the left side). Opening/closing speed: 2 s
	DHI-IPMECD-3012-RM60-T30	Barrier with 6 m (19.69 ft) straight arm (at the right side). Opening/closing speed: 3 s
	DHI-IPMECD-3012-LM60-T30	Barrier with 6 m (19.69 ft) straight arm (at the left side). Opening/closing speed: 3 s
	DHI-IPMECD-3012-RM30-T09-AC110	Barrier with 3 m (9.84 ft) straight arm (at the right side). Power supply: 110V AC. Opening/closing speed: 0.9 s
	DHI-IPMECD-3012-LM30-T09-AC110	Barrier with 3 m (9.84 ft) straight arm (at the left side). Power supply: 110V AC. Opening/closing speed: 0.9 s
	DHI-IPMECD-3012-RM30-T14-AC110	Barrier with 3 m (9.84 ft) straight arm (at the right side). Power supply: 110V AC. Opening/closing speed: 1.4 s
	DHI-IPMECD-3012-LM30-T14-AC110	Barrier with 3 m (9.84 ft) straight arm (at the left side). Power supply: 110V AC. Opening/closing speed: 1.4 s
	DHI-IPMECD-3012-RM40-T14-AC110	Barrier with 4 m (13.12 ft) straight arm (at the right side). Power supply: 110V AC. Opening/closing speed: 1.4 s
	DHI-IPMECD-3012-LM40-T14-AC110	Barrier with 4 m (13.12 ft) straight arm (at the left side). Power supply: 110V AC. Opening/closing speed: 1.4 s

Installation



Dimensions (mm[inch])

