

## Datasheet

# Smart IoT Box

WI-IOTBOX01 | WI-IOTBOX02 | WI-IOTBOX03

Hardware: V3

New Upgrade: The new cooling duct design for more efficient cooling!



## Overview

Wi-Tek's Smart IoT Box is an all-weather outdoor electrical equipment protection box designed for outdoor use in the outdoor environment. It has waterproof, dustproof, heat dissipation, anti-ultraviolet, anti-theft, anti-rust, acid and alkali corrosion, anti-electromagnetic interference (anti-lightning EMP), modular structure design in the box, electrical equipment can be installed vertically or horizontally according to the situation.

Fit outdoor CCTV, WLAN, Wi-Fi Coverage, Industrial IoT Application requirements with Wi-Tek industrial switch, 4G LTE router, outdoor wireless transmitter, solar powered PoE switch, IoT M2M gateway, and mesh AP, greatly decrease your project deployment cost by flexible modular installation.

## Features

### IP55 Ingress Protection

Outstanding dustproof and waterproof design protects the equipment inside the box in the outdoor.

### Rugged construction

A seamless welding box body can withstand huge external forces without deformation.

### Advanced Outdoor Protection

Made of aluminum alloy or stainless-steel connecting mounting parts, Electrostatic powder spraying main body, can anti-aging, gas corrosion resistance, UV damage resistance, acid and alkali corrosion resistance, salt spray moisture resistance.

### Modular Installation

The modular structure design, top cover, side panel, DIN-rail, mounting plate, waterproof connector, fan, and microswitch are all detachable.

### Heat Dissipation

The fan on the top and ventilation holes on the bottom form a bottom-up air duct to help heat dissipation.

### Microswitch for Flexible Application

The door microswitch can be connected to the power supply, to the cloud alarm via I/O, or to the buzzer alarm.



## Specifications

Products	WI-IOTBOX01
Hardware Version	V3
Hardware Features	
Overall Dimensions (W*H*D)	300*400*220mm (Include mounting slot) 300*400*206.2mm
Inner Dimensions (W*H*D)	180*340*160mm (Recommended)
Weight(kg)	8.7
Package Dimensions (W*H*D)	460*360*275mm
Package Weight(kg)	10
Thickness	1.2mm
Material	SPCC
Color	Light Grey + Grey
Surface Treatment	Electrostatic Spraying
Installation	Pole/Wall/Floor mounted
Door	1
Lock Hole	1
Detachable Side Plate	4 (2 on each side panel)
M25 Waterproof Connector	4 (2 on each side inner panel)
Aluminum Alloy Chute	2 (on the rear panel)
Bottom Cable Entry	1 (at the bottom)
Water Outlet Holes	4 (at the bottom, can be blocked with rubber plugs)
Microswitch	1 (on the upper right inside)
Fan	1 (on the top inner panel)
Insect Net	3 (2 on bottom inner side, by adhering it to the BOX with the magnetic bar in the attachment to achieve the best performance, 1 is between the fan and the top cover interlayer)
Equipment Installation	2*180mm DIN-Rail *Optional: 1* 188*42*120mm Mounting Plate
Protection	IP55
Application	
Application	Junction, Distribution, Electrical, Battery, Control, Monitoring etc. Outdoor waterproof Enclosure Box



Products	WI-IOTBOX02	WI-IOTBOX03
Hardware Version	V3	V3
Hardware Features		
Overall Dimensions (W*H*D)	400*600*265mm (Include mounting slot) 400*600*251.2mm	500*720*300mm (Include mounting slot) 500*720*286.2mm
Inner Dimensions (W*H*D)	280*540*200mm (Recommended)	380*660*240mm (Recommended)
Weight(kg)	14.1	19.8
Package Dimensions (W*H*D)	680*480*315mm	800*580*355mm
Package Weight(kg)	16.5	23
Thickness	1.2mm	
Material	SPCC	
Color	Light Grey + Grey	
Surface Treatment	Electrostatic Spraying	
Installation	Pole/Wall/Floor mounted	
Door	1	
Lock Hole	1	2
Detachable Side Plate	4 (2 on each side panel)	
M25 Waterproof Connector	4 (2 on each side inner panel)	
Aluminum Alloy Chute	2 (on the rear panel)	
Bottom Cable Entry	1 (at the bottom)	
Water Outlet Holes	4 (at the bottom, with rubber plugs)	
Microswitch	1 (on the upper right inside)	
Fan	1 (on the top inner panel)	
Insect Net	3 (2 on bottom inner side, by adhering it to the BOX with the magnetic bar in the attachment to achieve the best performance, 1 is between the fan and the top cover interlayer)	
Equipment Installation	2* 275mm DIN-Rail 1* 285.2*42*99mm Mounting Plate 2* 285.2*42*124mm Mounting Plate	2* 345mm DIN-Rail 1* 373.2*142mm Vertical DIN Rail Mounting Plate 2* 373.2*214mm Horizontal Mounting Plate
Protection	IP55	
Application		
Application	Junction, Distribution, Electrical, Battery, Control, Monitoring etc. Outdoor waterproof Enclosure Box	

## Accessory Specifications

Products	
Fan	
Brand	Delta
Model	AFB0912HH
Input Voltage	12V DC (7.0 – 13.8 VDC)
Bearing	Ball
Termination	2 wire leads
Input Current	0.25 (≤0.4) A
Power consumption	3.0 (≤4.8) W
Speed	3200 RPM (Ref.)
Air Flow	57.92 CFM (1.640 m <sup>3</sup> /min)
Acoustical Noise	38.0 (≤41.0) dB-A
Dimensions	92*92*25.4mm
Operation temperature	-10°C ~70°C
Miniature Circuit Breaker	
Brand	CHINT
Model	NXB-63 C25
Number of Poles	2P
Rated Current	25A
Rated Voltage	400V~
Thermal Magnetic Release	C
Mechanical Life	20,000 cycles
Electrical Life	10,000 cycles
Short-circuit Breaking Capacity (I <sub>cn</sub> )	6000A
Dimensions (W*H*D)	36*81*77.8mm
Installation	DIN-rail mounted
Microswitch	
Brand	Omron
Model	V156-1C25
PIN	NC, NO, COM; NC and COM have connected cables.
Rated Current	15A
Rated Voltage	250V
Mechanical Life	15,000,000 cycles

## Products

## Heater (Optional)

Brand	CHINT
Model	NTR1-045
Heater Capacity (Typical)	45W
Input Voltage	220V AC (120V~240V AC) *The heating performance will be reduced by 10% when operating voltage is lower than 140V.
Input Current	3A max.
Heating Element	PTC resistor
Material	Aluminum
Connector	3*press clamps, fit 0.5~1.5mm <sup>2</sup> standard wire and 0.5~2.5mm <sup>2</sup> rigid wire
Dimensions	70*110*57mm
Weight	0.22kg
Installation	DIN-rail mounted
Operation temperature	-45°C ~70°C

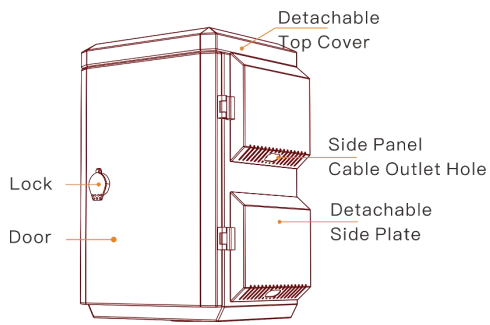
## Thermostat (Optional)

Brand	CHINT
Model	Red Thermostat: NTK1-211G Blue Thermostat: NTK1-111G
Function	NTK1-211G Red Thermostat: normally close, disconnect the circuit when the set temperature is reached, usually used for heating. NTK1-111G Blue Thermostat: normally open, connect the circuit when the set temperature is reached, usually used for fans.
Setting Temperature Range	0~60°C
Switch Temperature Difference	7K
Service Life	100000 cycles
Max capacity	250V AC@10A
Connection	2-pole, 2.5mm <sup>2</sup> (12AWG) max. wire
Dimensions (W*H*D)	33*60*39mm
Weight	40g
Installation	DIN-rail mounted
Operation Temperature	-20°C ~80°C

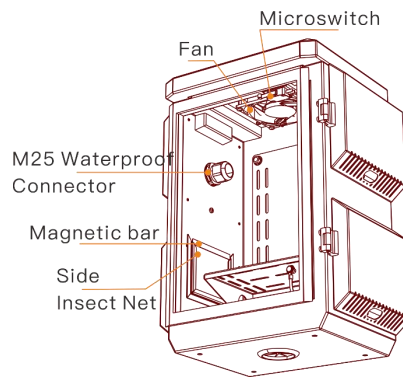
# Appearances and Dimensions

WI-IOTBOX01

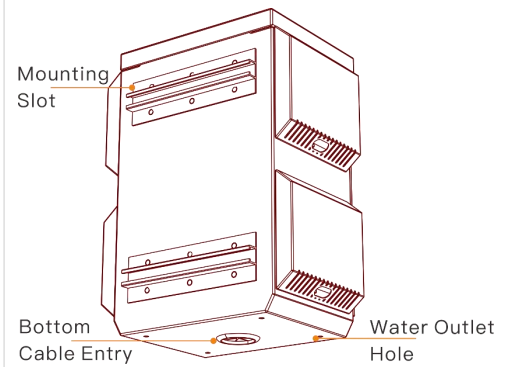
Front Overview



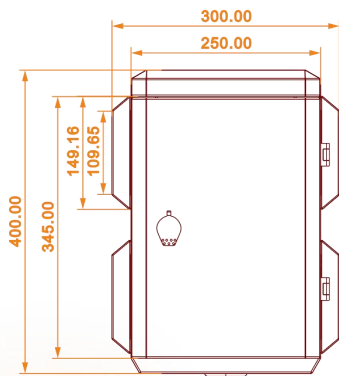
Inner Overview



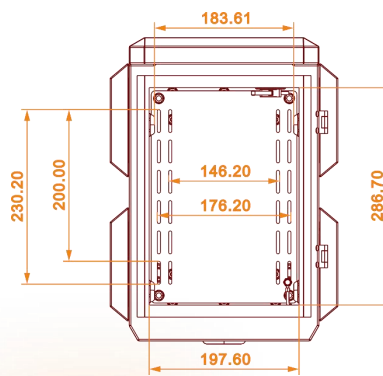
Rear Overview



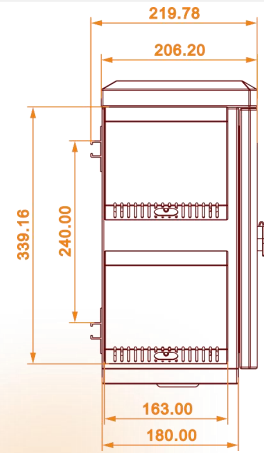
Front



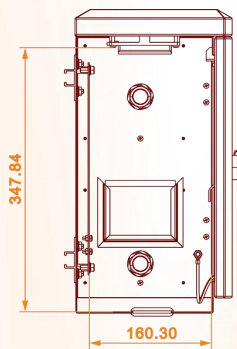
Inner Front



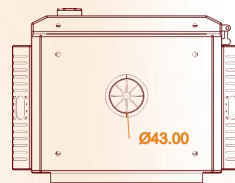
Left Side



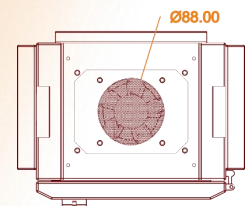
Inner Left



Bottom

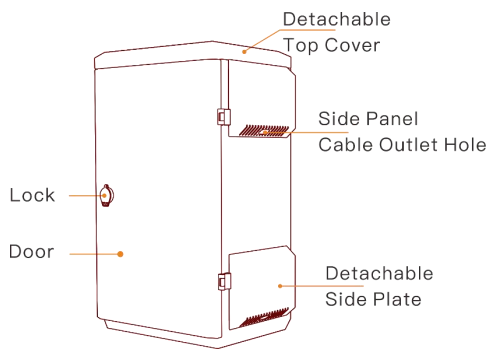


Inner Top

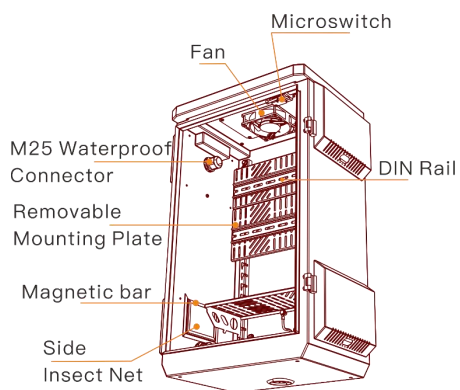


WI-IOTBOX02

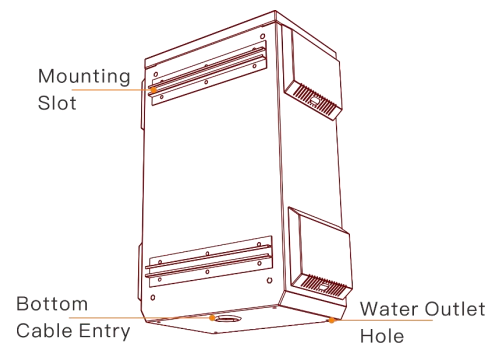
Front Overview



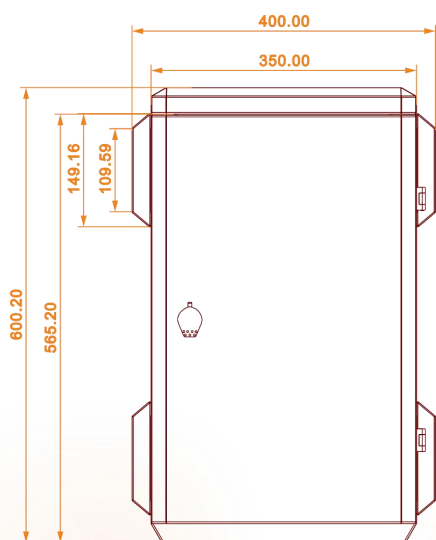
Inner Overview



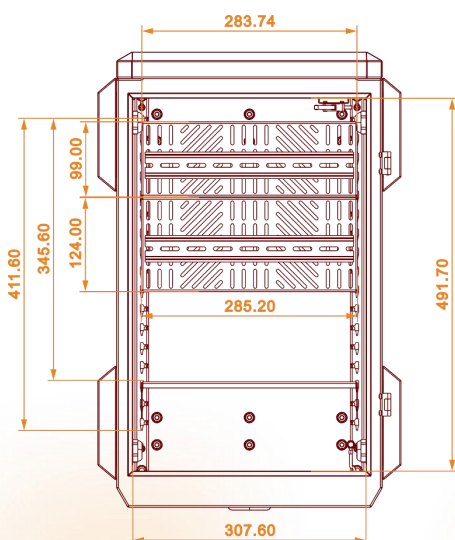
Rear Overview



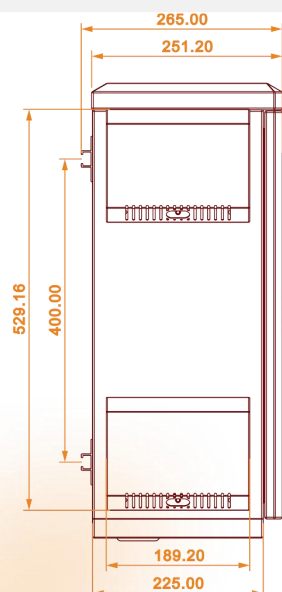
Front



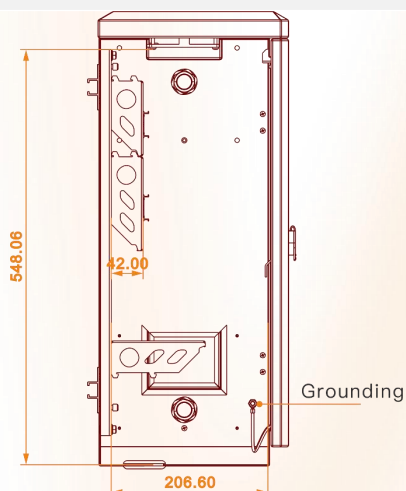
Inner Front



Left Side



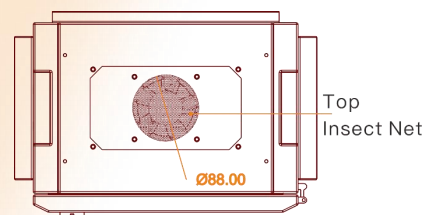
Inner Left



Bottom

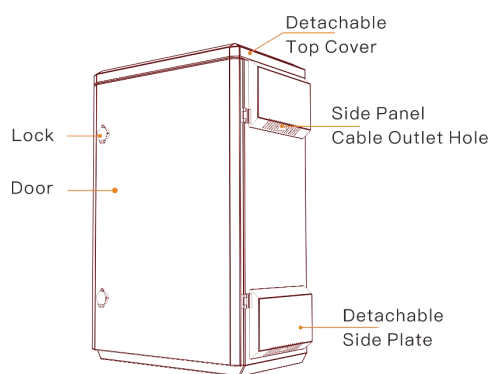


Inner Top

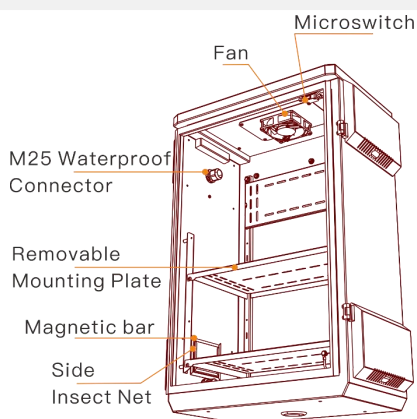


# WI-IOTBOX03

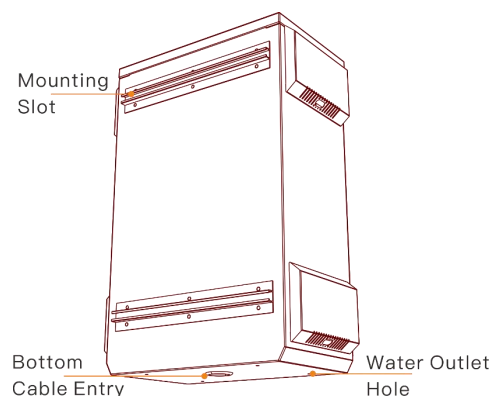
Front Overview



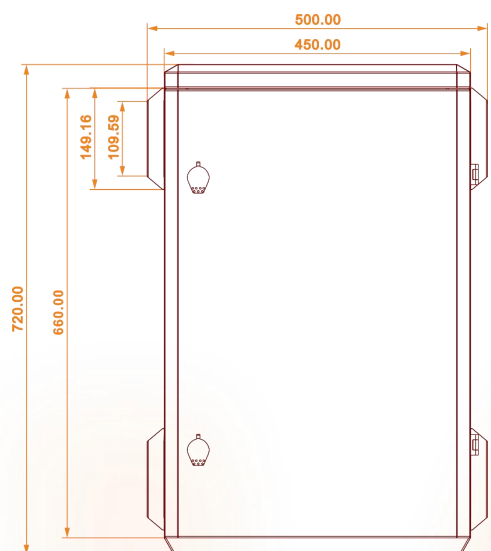
Inner Overview



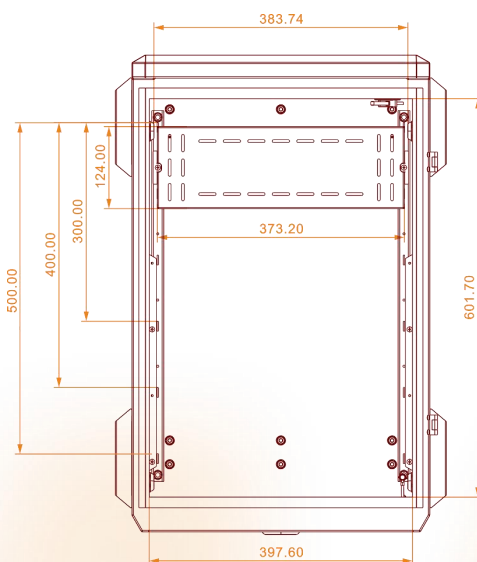
Rear Overview



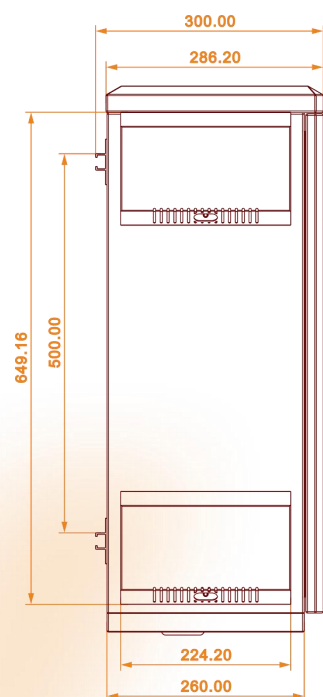
Front



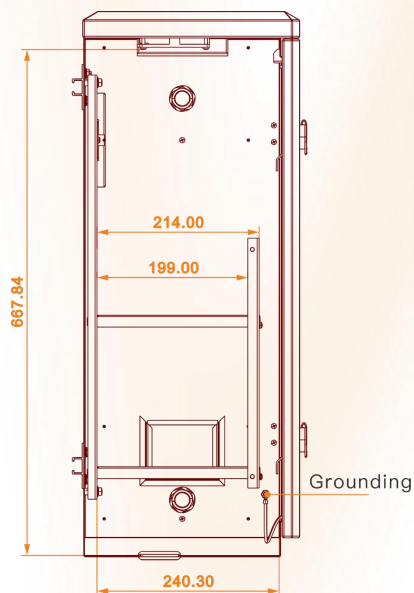
Inner Front



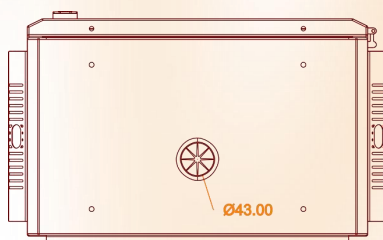
Left Side



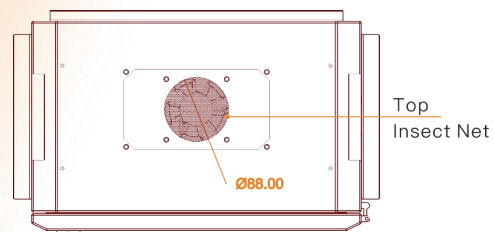
Inner Left



Bottom



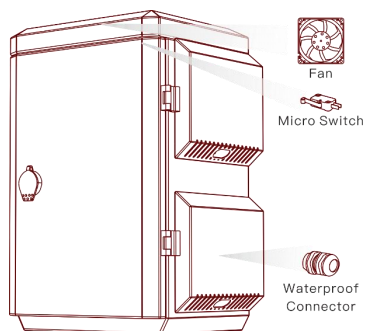
Inner Top



## Package Content

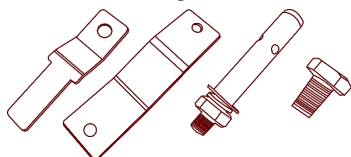
Welcome to order our products. After purchasing, you will receive:

WI-IOTBOX01



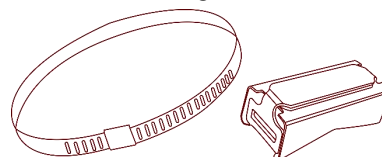
1\*BOX (With 1\*Fan, 1\*Micro Switch, 4\*M25 waterproof connector)

### Wall Mounting Accessories



2\*Hanging Pieces (Small), 2\*Hanging Pieces (Large),  
4\*Expansion screws, 4\*Hex screws

### Pole Mounting Accessories



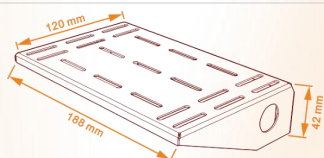
2\*1.1m Stainless Steel Cable Ties (50–300mm in diameter),  
2\*Stainless Steel Universal Clips



1\*Quick Installation Guide



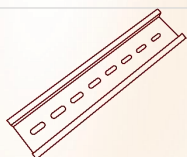
1\*Miniature Circuit Breaker



**\*Optional:** 1\*188\*42\*120mm  
Mounting Plate and Mounting Accessories



2\*Key

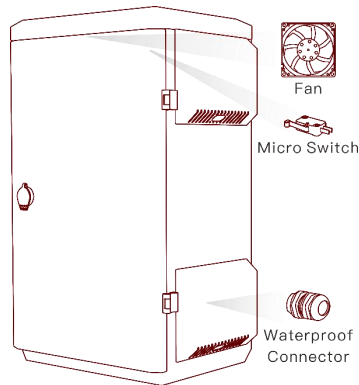


2\*DIN Rail (Length: 180mm)



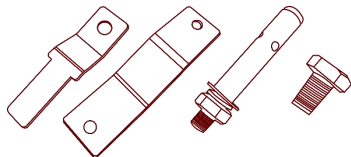
1\*Grounding Connector

WI-IOTBOX02



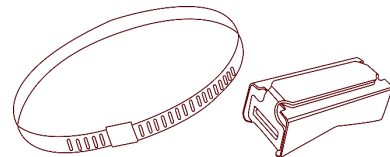
1\*BOX (With 1\*Fan, 1\*Micro Switch, 4\*M25 waterproof connector)

Wall Mounting Accessories



2\*Hanging Pieces (Small), 2\*Hanging Pieces (Large),  
4\*Expansion screws, 4\*Hex screws

Pole Mounting Accessories



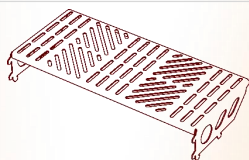
2\*1.1m Stainless Steel Cable Ties (50–300mm in diameter),  
2\*Stainless Steel Universal Clips



1\*Quick Installation Guide



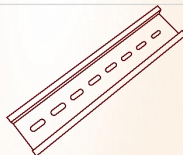
1\*Miniature Circuit Breaker



1\*285.2\*42\*99mm Mounting Plate  
2\*285.2\*42\*124mm Mounting Plate



2\*Key



2\*DIN Rail (Length: 275mm)



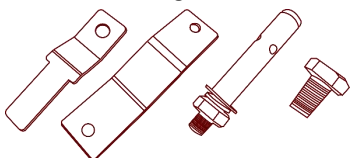
1\*Grounding Connector

WI-IOTBOX03



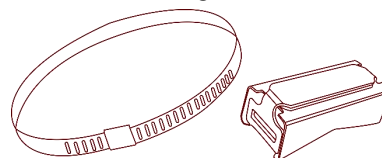
1\*BOX (With 1\*Fan, 1\*Micro Switch, 4\*M25 waterproof connector)

Wall Mounting Accessories



2\*Hanging Pieces (Small), 2\*Hanging Pieces (Large),  
4\*Expansion screws, 4\*Hex screws

Pole Mounting Accessories



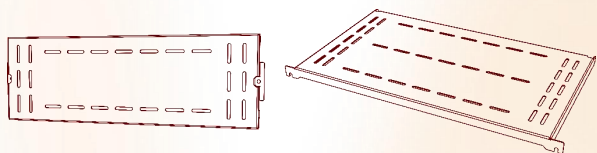
2\*1.1m Stainless Steel Cable Ties (50–300mm in diameter),  
2\*Stainless Steel Universal Clips



1\*Quick Installation Guide



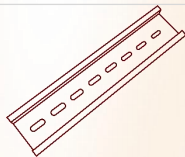
1\*Miniature Circuit Breaker



1\*373.2\*142mm Vertical DIN Rail Mounting Plate  
2\*373.2\*214mm Horizontal Mounting Plate



2\*Key



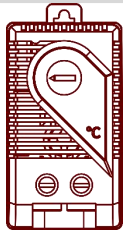
2\*DIN Rail (Length: 345mm)



1\*Grounding Connector

## Optional Accessory

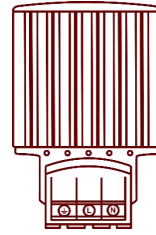
Item



Thermostat

Red Thermostat: NTK1-211G

Blue Thermostat: NTK1-111G



Heater

NTR1-045



Wireless-Tek Technology Limited

Address: Building 3, Units 1801-1807, 1812, Huaqiang Era Plaza,  
Tangwei Community, Fuhai Street, Bao'an District, Shenzhen City,  
Guangdong Province, China.

Website: [www.wireless-tek.com](http://www.wireless-tek.com)

Tel: 86-0755-32811290

Email: [sales@wireless-tek.com](mailto:sales@wireless-tek.com)

Technical Support: [tech@wireless-tek.com](mailto:tech@wireless-tek.com)



Technical Support



Cloud Management



Company Website